



# CPD20L2 LI-ION TECHNOLOGY

## Electric Counterbalance Forklift Truck 2.0T

- Wider operating space;
- Better operating vision;
- Benchmark in visibility.

EP EQUIPMENT CO.,LTD  
[www.paleciaki.info](http://www.paleciaki.info)



## FEATURE

### ■ Wider operating space

The L2 forklift from EP Equipment has the widest legroom in the industry for better ergonomics at high intensity shifts and long working hours. Comfort is at the heart of this 3-wheel forklift.



### ■ Better visibility

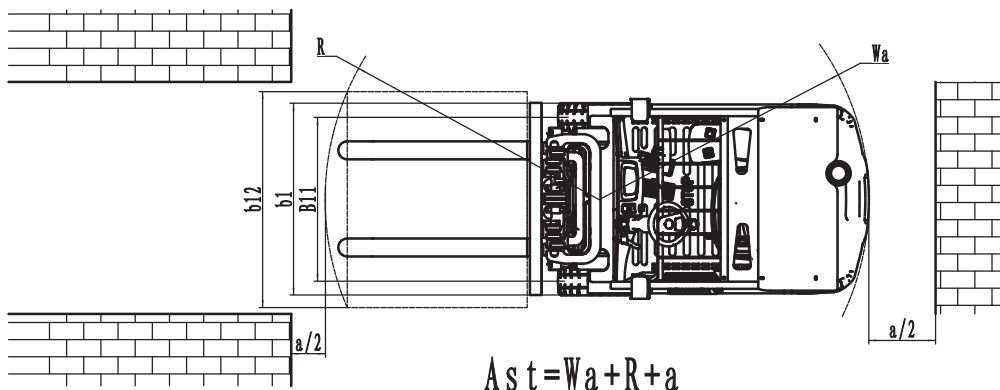
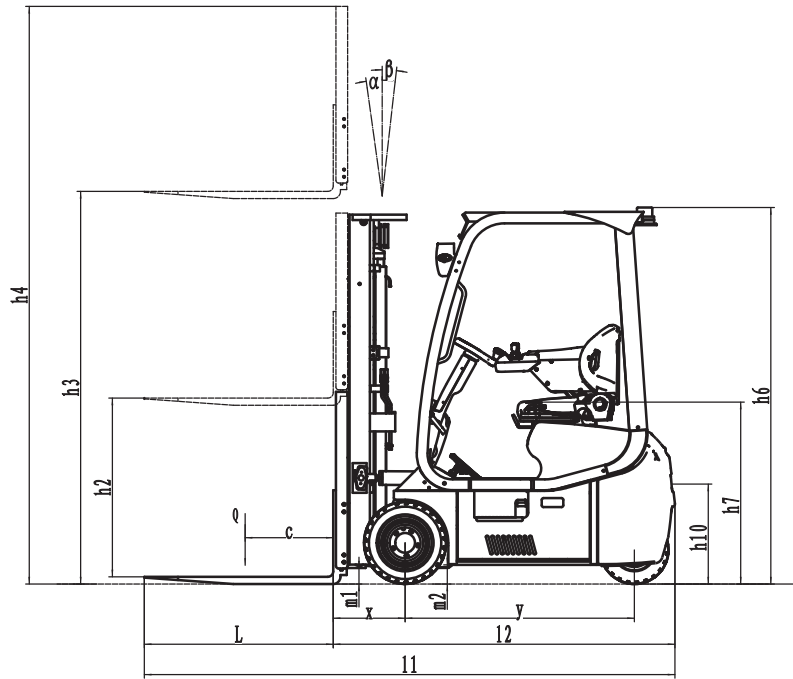
Everything in control Due to its dual-joystic operation, the truck offers a high productivity also with attachments like Side-shift or fork positioner. They are comfortable to use on long shifts without strain for the operator.



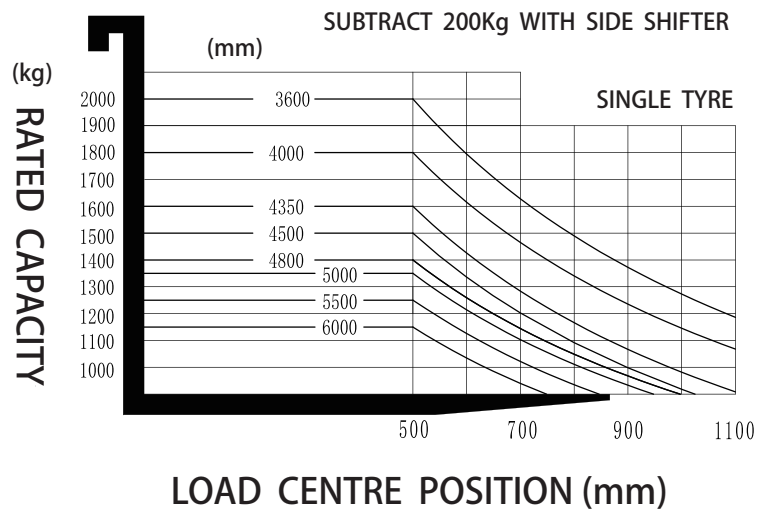
### ■ Stronger working performance

It is specially designed for Lithium battery, which makes it more compact in size and more rigorous in structure. EHPS(Electronic Hydraulic Power Steering) combines advantages of both EPS(Electric Power Steering) and HPS (Hydraulic Power Steering) and it makes steering more smoothly





**RATED CAPACITIES AND LOAD CENTERS GRAPH**



# Electric Counterbalance Forklift Truck 2.0T

## CPD20L2

| Distinguishing mark |   |                     |        |                                 |
|---------------------|---|---------------------|--------|---------------------------------|
| 1.1                 | Manufacturer  |                     |        | EP                              |
| 1.2                 | Model designation                                     |                     |        | CPD20L2                         |
| 1.3                 | Drive unit  |                     |        | Electrics                       |
| 1.4                 | Operator type   |                     |        | seated                          |
| 1.5                 | rated capacity  | Q                   | t      | 2                               |
| 1.6                 | Load center distance                                  | c                   | mm     | 500                             |
| 1.8                 | Load distance, centre of drive axle to fork           | x                   | mm     | 419                             |
| 1.9                 | Wheelbase   | y                   | mm     | 1358                            |
| Weight              |   |                     |        |                                 |
| 2.1                 | Service weight (include battery)                      |                     | kg     | 3460                            |
| 2.2                 | Axle loading, laden driving wheels /steering wheels   |                     | kg     | 4916/544                        |
| 2.3                 | Axle loading, unladen driving wheels /steering wheels |                     | kg     | 1574/1886                       |
| Types,Chassis       |   |                     |        |                                 |
| 3.1                 | Tyre type,driving wheels /steering wheels             |                     |        | solid rubber                    |
| 3.2                 | Tyre size, driving wheels (diameter×width)            |                     | mm     | 200X50-10                       |
| 3.3                 | Tyre size, steering wheels (diameter×width)           |                     | mm     | 15X4.5-8                        |
| 3.5                 | Wheels, number driving/steering (x=drive wheels)      |                     | mm     | 2x/ 2                           |
| 3.6                 | Tread, Driving wheels                                 | b10                 | mm     | 936                             |
| 3.7                 | Tread, Steering wheels                                | b11                 | mm     | 175                             |
| Dimensions          |   |                     |        |                                 |
| 4.1                 | Tilt of mast/fork carriage forward/backward           | $\alpha/ \beta$ (°) |        | 5/6                             |
| 4.2                 | Height, mast lowered                                  | h1                  | mm     | 2012                            |
| 4.3                 | Free lift (load backrest)                             | h2                  | mm     | 50                              |
| 4.4                 | Lift height   | h3                  | mm     | 3000                            |
| 4.5                 | Height, mast extended                                 | h4                  | mm     | 4058                            |
| 4.7                 | Height of overhead guard (cabin)                      | h6                  | mm     | 2118                            |
| 4.8                 | Seat height   | h7                  | mm     | 1070                            |
| 4.12                | Tow center of pin height                              | h10                 | mm     | 560                             |
| 4.19                | Overall length  | l1                  | mm     | 2915                            |
| 4.20                | Length to face of forks                               | l2                  | mm     | 1995                            |
| 4.21                | Overall width   | b1/ b2              | mm     | 1150                            |
| 4.22                | Fork dimensions                                       | s/ e/ l             | mm     | 40×100×1070                     |
| 4.23                | Fork carriage class/type A, B                         |                     |        | A                               |
| 4.24                | Fork carriage width                                   | b3                  | mm     | 1040                            |
| 4.31                | Ground clearance, laden, below mast                   | m1                  | mm     | 128                             |
| 4.32                | The minimum ground clearance of frame                 | m2                  | mm     | 110                             |
| 4.34.1              | Aisle width for pallets 1000 × 1200 crossways         | Ast                 | mm     | 3223                            |
| 4.34.2              | Aisle width for pallets 800 × 1200 lengthways         | Ast                 | mm     | 3359                            |
| 4.35                | Turning radius  | Wa                  | mm     | 1585                            |
| Performance data    |   |                     |        |                                 |
| 5.1                 | Travel speed, laden/ unladen                          |                     | km/ h  | 15/16                           |
| 5.2                 | Lifting speed, laden/ unladen                         |                     | m/ s   | 0.35/0.43                       |
| 5.3                 | Lowering speed, laden/ unladen                        |                     | m/ s   | 0.45/0.37                       |
| 5.5                 | Drawbar pull, laden/unladen                           |                     | N      |                                 |
| 5.6                 | Max. drawbar pull, laden/unladen (time)               |                     | N      | /                               |
| 5.7                 | Gradeability, laden/unladen                           |                     | %      | 15/17                           |
| 5.8                 | Max. gradeability, laden/unladen                      |                     | %      |                                 |
| 5.9                 | Service brake type                                    |                     |        | electromagnetic braking         |
| 5.10                | park brake type                                       |                     |        | electromagnetic braking         |
| Electric-engine     |   |                     |        |                                 |
| 6.1                 | Drive motor rating S2 60 min                          |                     | kW     | 6.1x2                           |
| 6.2                 | Lift motor rating at S3 15%                           |                     | kW     | 11                              |
| 6.3                 | The maximum allowed size battery                      |                     | mm     | /                               |
| 6.4                 | Battery voltage/nominal capacity K5                   |                     | V/ Ah  | 48/360                          |
| 6.5                 | Battery weight  |                     | kg     | 250                             |
| Addition data       |   |                     |        |                                 |
| 8.1                 | Type of drive unit                                    |                     |        | AC                              |
| 10.5                | Steering type   |                     |        | Electronic hydraulic assistance |
| 10.7                | Sound pressure level at the driver's ear              |                     | dB (A) | 79                              |

If there are improvements of technical parameters or configurations, no further notice will be given.  
The diagram shown may contain non-standard configurations.

# Mast Option

| Type       | Model | Max.fork height h3<br>mm | Overall height   |                        |                     | Free lift              |                        | Front Overhang X<br>2.0t<br>mm | Tilt range   |              | Capacity                |            |
|------------|-------|--------------------------|------------------|------------------------|---------------------|------------------------|------------------------|--------------------------------|--------------|--------------|-------------------------|------------|
|            |       |                          | Lowered h1<br>mm | Extended               |                     | Without backrest<br>mm | With backrest h2<br>mm |                                | FWD α<br>Deg | BWD β<br>Deg | Load capacity at 500 mm |            |
|            |       |                          |                  | Without backrest<br>mm | With backrest<br>mm |                        |                        |                                |              |              | Single tire             | 2.0t<br>kg |
|            |       |                          |                  |                        |                     |                        |                        |                                |              |              |                         |            |
| Duplex ZT  | 2W200 | 2000                     | 1512             | 2515                   | 3058                | 120                    | 120                    | 400                            | 5            | 5            | 2000                    | 2000       |
|            | 2W250 | 2500                     | 1762             | 3015                   | 3558                | 120                    | 120                    | 400                            | 5            | 5            | 2000                    | 2000       |
|            | 2W270 | 2700                     | 1862             | 3215                   | 3758                | 120                    | 120                    | 400                            | 5            | 5            | 2000                    | 2000       |
|            | 2W300 | 3000                     | 2012             | 3515                   | 4058                | 120                    | 120                    | 400                            | 5            | 5            | 2000                    | 2000       |
|            | 2W330 | 3300                     | 2162             | 3815                   | 4358                | 120                    | 120                    | 400                            | 5            | 5            | 2000                    | 2000       |
|            | 2W350 | 3500                     | 2262             | 4015                   | 4558                | 120                    | 120                    | 400                            | 5            | 5            | 2000                    | 2000       |
|            | 2W360 | 3600                     | 2312             | 4115                   | 4658                | 120                    | 120                    | 400                            | 5            | 5            | 2000                    | 2000       |
|            | 2W400 | 4000                     | 2565             | 4515                   | 5058                | 120                    | 120                    | 400                            | 3            | 4            | 1800                    | 1800       |
|            | 2W425 | 4250                     | 2687             | 4765                   | 5308                | 120                    | 120                    | 400                            | 3            | 4            | 1700                    | 1700       |
| 2W450      | 4500  | 2812                     | 5015             | 5558                   | 120                 | 120                    | 400                    | 3                              | 4            | 1600         | 1600                    |            |
| Duplex ZZ  | 2F250 | 2500                     | 1795             | 3015                   | 3558                | 1280                   | 737                    | 400                            | 5            | 5            | 2000                    | 2000       |
|            | 2F270 | 2700                     | 1895             | 3215                   | 3758                | 1380                   | 837                    | 400                            | 5            | 5            | 2000                    | 2000       |
|            | 2F300 | 3000                     | 2045             | 3515                   | 4058                | 1530                   | 987                    | 400                            | 5            | 5            | 2000                    | 2000       |
|            | 2F330 | 3300                     | 2195             | 3815                   | 4358                | 1680                   | 1137                   | 400                            | 5            | 5            | 2000                    | 2000       |
|            | 2F360 | 3600                     | 2345             | 4115                   | 4658                | 1830                   | 1287                   | 400                            | 5            | 5            | 2000                    | 2000       |
|            | 2F400 | 4000                     | 2545             | 4515                   | 5058                | 2030                   | 1487                   | 400                            | 3            | 4            | 1900                    | 1900       |
| Triplex DZ | 3F435 | 4350                     | 2015             | 4865                   | 5408                | 1471                   | 957                    | 400                            | 3            | 4            | 1600                    | 1600       |
|            | 3F450 | 4500                     | 2065             | 5015                   | 5558                | 1521                   | 1007                   | 400                            | 3            | 4            | 1500                    | 1500       |
|            | 3F480 | 4800                     | 2165             | 5315                   | 5858                | 1621                   | 1107                   | 400                            | 3            | 4            | 1400                    | 1400       |
|            | 3F500 | 5000                     | 2230             | 5515                   | 6058                | 1686                   | 1172                   | 400                            | 3            | 4            | 1350                    | 1350       |
|            | 3F550 | 5500                     | 2400             | 6015                   | 6558                | 1856                   | 1342                   | 400                            | 3            | 4            | 1250                    | 1250       |
|            | 3F600 | 6000                     | 2615             | 6515                   | 7058                | 2071                   | 1557                   | 400                            | 3            | 4            | 1150                    | 1150       |

Note: With sideshifter minus 200Kg, with integral sideshifter minus 100Kg.

# Option

| Optional items                 | CPD20L2 |
|--------------------------------|---------|
| 3 Fork length                  | ○       |
| 6 Folding fork                 | ○       |
| 7 Weighting system with fork   | —       |
| 12 Solid rubber tire           | ●       |
| 13 Environmental solid tire    | ○       |
| 15 cold storage                | ○       |
| 19 Battery capacity            | ○       |
| 20 Lateral change battery      | —       |
| 21 Import battery              | —       |
| 22 Water auto-filling system   | —       |
| 30 Side shift                  | ○       |
| 37 Overhead guard              | —       |
| 39 Mast options                | ○       |
| 40 Attachments                 | ○       |
| 41 Proportional valve          | ●       |
| 42 Front light                 | ●       |
| 43 Back light                  | ○       |
| 46 Warning light               | ●       |
| 48 Fire extinguisher           | ○       |
| 49 Seat                        | ○       |
| 50 Seat switch                 | ●       |
| 51 With fan heater             | ○       |
| 52 With front windshield wiper | ○       |
| 53 With rear windshield wiper  | ○       |
| 54 Cockpit                     | ○       |
| 55 Double front wheel          | —       |
| 56 Rearview                    | ○       |
| 57 OPS system                  | ○       |
| 58 Backrest width              | ○       |
| 59 Side to pull the car        | ○       |
| 60 Air fan                     | —       |
| 61 Charging voltage            | ○       |
| 62 Drive-in Rack               | ○       |

Note: ● standard ○ option — NA